



# GLOBE VALVES - 2500 - Bolted bonnet - Sw/Npt/Bw

## Ratings (ASTM A105)

2500 p.s.i. @ 850°F  
6170 p.s.i. @ 100°F

## Test pressure (ASTM A105)

### Hydraulic: (minimum)

Body - 9275 p.s.i.  
Seat - 6800 p.s.i.

### Air under water:

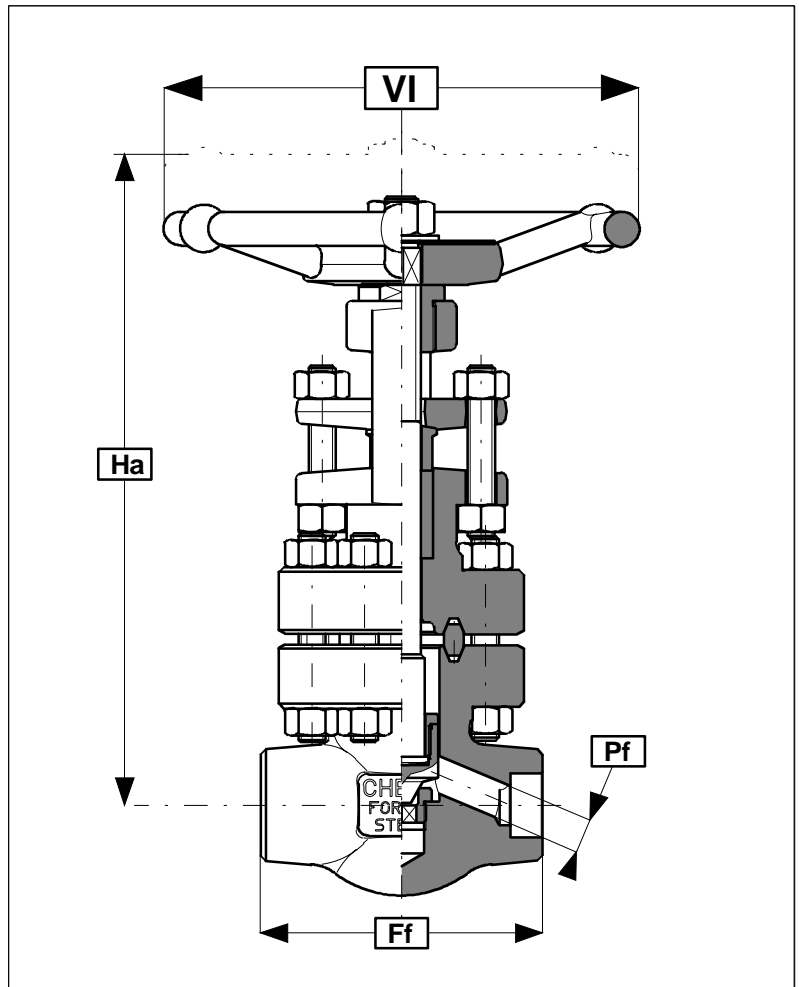
Seat - 85 p.s.i.

## Standards

**Construction** founded on ASME B16.34  
**Socket weld** ASME B16.11  
**Threaded** ASME B1.20.1  
**Butt weld** ASME B16.25  
**Test** API 598-ASME B16.34

## Connections (xx)

<b>SW</b> Socket weld	<b>BX</b> Butt weld XXS
<b>TH</b> Threaded NPT	
<b>TS</b> Sw/NPT	
<b>SE</b> Sw (in)/NPT	
<b>SU</b> Sw (out)/NPT	
<b>B6</b> Butt weld 160	



## STANDARD BORE

		1/2"	3/4"	1"		1.1/2"	2"
<b>Ff</b> (mm/in)		110 4,33	115 4,52	130 5,12		210 8,27	240 9,45
<b>Ha</b> (mm/in)		218 8,58	260 10,24	268 10,55		427 16,81	433 17,05
<b>VI</b> (mm/in)		140 5,51	200 7,87	200 7,87		260 10,24	350 13,77
<b>Pf</b> (mm/in)		10 0,39	13 0,51	18 0,71		25 0,98	34 1,33
<b>Wt.</b> (kg/lb)		5,8 13,0	8,3 18,3	9,7 21,3		26,8 59,0	35,3 77,7
<b>Catal. no.</b>		1152/xx	1153/xx	1154/xx		1156/xx	1157/xx


1) Standard and alternative valve materials on page 67, type A  
2) Complete Pressure-Temperature ratings on page 68, 69, 70,71,72  
3) SW, NPT & BW dimensions on page 73